



# SSH Tectia Server for IBM z/OS 5.2

## Powerful Security and Improved Compatibility for the Mainframe

As part of their everyday operations, many large organizations transfer data from disparate systems to and from the mainframe environment—and much of it is unprotected. Unprotected data flow within a heterogeneous network may seem routine, but it leaves enterprises open to potentially disastrous security breaches. For larger companies, the data-migration process also can create compliance problems with Sarbanes-Oxley Section 404 mandates and the PCI Data Security Standard.

When communicating with the mainframe, organizations often move mission-critical data from Windows, Unix or Linux systems via plaintext file transfer (FTP) and unprotected terminal access (TN3270). These systems are unsecured by definition—either they lack basic cryptographic data security features or implementing the security is costly and could cause compatibility issues with current applications. Without proper protections in place, FTP and TN3270 data-transfer protocols are no longer acceptable in today’s security-centric IT world.

To effectively address these crucial issues, IT executives understand they need to implement a better, more secure file-transfer protocol—and they need a proven system that accomplishes the task in the most efficient and cost-effective manner possible.

From all angles, SSH Tectia Server for IBM z/OS is an enterprise-class solution that makes sense.

Recently released in Version 5.2, SSH Tectia Server for IBM z/OS is a part of the centrally managed, multi-platform SSH Tectia security solution from the original developers of the industry-standard Secure Shell protocol. In addition to reaping obvious security benefits, organizations that choose to adopt a single, standardized Secure Shell-based solution can dramatically reduce system integration costs and improve compatibility across their enterprise.

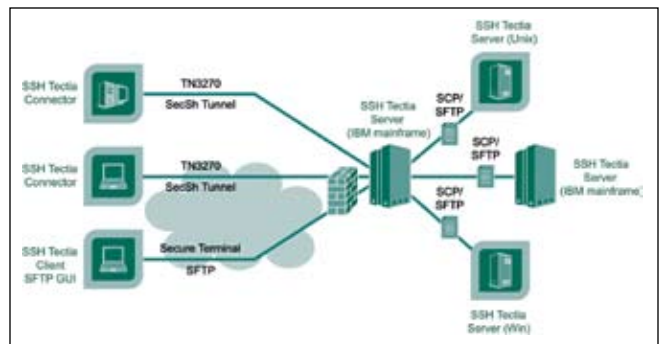
Powerful, yet extremely easy-to-deploy, SSH Tectia Server for IBM z/OS ensures confidentiality, integrity, and authentication of system administration, file transfers, and secure TN3270 application connections within the mainframe.

### SSH Tectia Server for IBM z/OS 5.2 Key Features and Benefits

- Protects diverse, cross-platform enterprise environments with connections between IBM mainframes and Windows, Unix, or Linux systems
- Offers versatile utilities and APIs for implementing automated secure file transfers, for both MVS and HFS file systems, based on the SFTP standard
- Secures TN3270 application connections transparently, negating the need for costly user training. Since there are no new user interfaces or user interaction requirements

for daily usage, end users can continue to use their familiar terminal clients and agents.

- SSH Tectia Server is the only Secure Shell solution for IBM mainframes that addresses the key enterprise



requirements, including hardware acceleration for reduced CPU overhead and increased throughput, native z/OS data set support, configurable ASCII-EBCDIC transactions, and support for RACF, ACF2, and Top Secret authentication.

### New Functionality for V5.2

SSH Tectia Server for IBM z/OS 5.2 benefits from a roster of new features and functionality that improve an already cost-effective and robust communications security solution:

The latest release incorporates direct streaming for all MVS operations. This improves file-transfer performance by eliminating any additional memory and disk operations that may have been previously required as part of the MVS process.

Additionally, a new MVS data set listing with read and write capabilities allows interactive listing of data sets as files and folders with command-line SFTP tools and Windows client GUIs. The result is the industry’s first SFTP-based file-transfer system that leverages easy drag-and-drop file transfers between Windows workstations and mainframes without any changes to legacy applications.

In the final analysis, IT executives who understand the need to re-evaluate the security and efficiency of their file-transfer practices would be wise to explore the power and functionality of SSH Tectia Server for IBM z/OS 5.2. **Z**

SSH Tectia Server for IBM z/OS 5.2 is available from SSH Communications Security Corp., USA Headquarters, 20 William Street G35, Wellesley, MA 02481. Voice: 781-247-2100; e-Mail: sales.america@ssh.com; Worldwide offices go to: [www.ssh.com/company/contact/](http://www.ssh.com/company/contact/); Website: [www.ssh.com](http://www.ssh.com).